

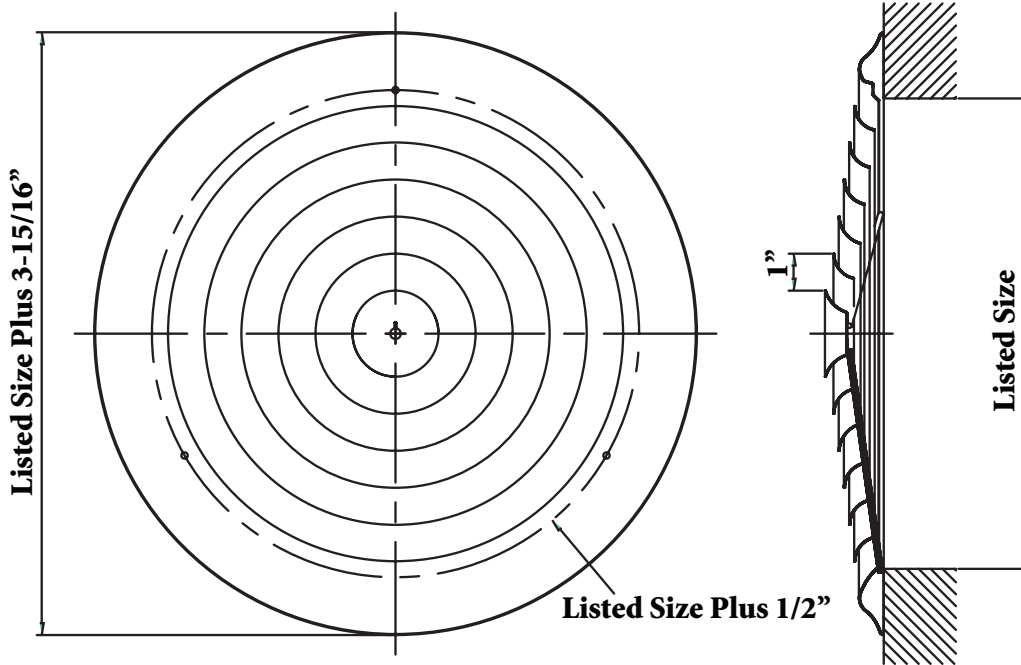
SUBMITTAL RECORD _____
 JOB _____
 LOCATION _____
 SUBMITTED TO _____
 SUBMITTAL PREPARED BY _____
 APPROVED BY _____
 DATE _____



Specification Form
RCD
ROUND CEILING
DIFFUSER

FEATURES

- Steel construction
- Step-down diffuser rings
- 360-degree air deflection
- For ceiling application
- For use with RCDD ceiling damper



Duro Dyne East Division, Bay Shore, NY	631-249-9000	Fax: 631-249-8346
Duro Dyne Midwest Division, Fairfield, OH	513-870-6000	Fax: 513-870-6005
Duro Dyne West Division, Santa Fe Springs, CA	562-926-1774	Fax: 562-926-5778
Duro Dyne Canada, Lachine, Quebec, Canada	514-422-9760	Fax: 514-636-0328
www.durodyne.com E-mail: durodyne@durodyne.com		



©2013 DURO DYNE CORP.
 Printed in the USA 7/13
 BO000322

RCD - ROUND CEILING DIFFUSER PERFORMANCE DATA

Face Velocity		300	400	500	600	700	800	900	1000
Pressure Loss		.006	.010	.016	.022	.031	.040	.050	.062
Neck Size 6" Ak .135	CFM		55	65	80	95	105	120	135
	Throw		2.5	3.0	3.5	4.0	4.5	5.0	5.5
Neck Size 8" Ak .225	CFM	70	90	115	135	160	180	200	225
	Throw	2.0	3.0	3.5	4.5	5.0	5.5	6.5	7.0
Neck Size 10" Ak .345	CFM	105	140	175	210	240	275	310	345
	Throw	2.5	3.5	4.5	5.0	6.0	7.0	8.0	8.5
Neck Size 12" Ak .500	CFM	150	200	250	300	350	400	450	500
	Throw	3.0	4.0	5.0	6.0	7.5	8.5	9.0	10.5
Neck Size 14" Ak .625	CFM	190	250	315	375	440	500	565	625
	Throw	3.5	4.5	5.5	6.5	8.0	9.0	10.0	11.0
Neck Size 18" Ak 1.040	CFM	310	415	520	625	730	830	935	1040
	Throw	4.5	6.0	7.0	8.5	10.0	11.5	13.0	14.5

Terminal Velocity of 50 FPM

Duro Dyne East Division, Bay Shore, NY	631-249-9000	Fax: 631-249-8346
Duro Dyne Midwest Division, Fairfield, OH	513-870-6000	Fax: 513-870-6005
Duro Dyne West Division, Santa Fe Springs, CA	562-926-1774	Fax: 562-926-5778
Duro Dyne Canada, Lachine, Quebec, Canada	514-422-9760	Fax: 514-636-0328
www.durodyne.com E-mail: durodyne@durodyne.com		



©2013 DURO DYNE CORP.
Printed in the USA 7/13
BO000322