

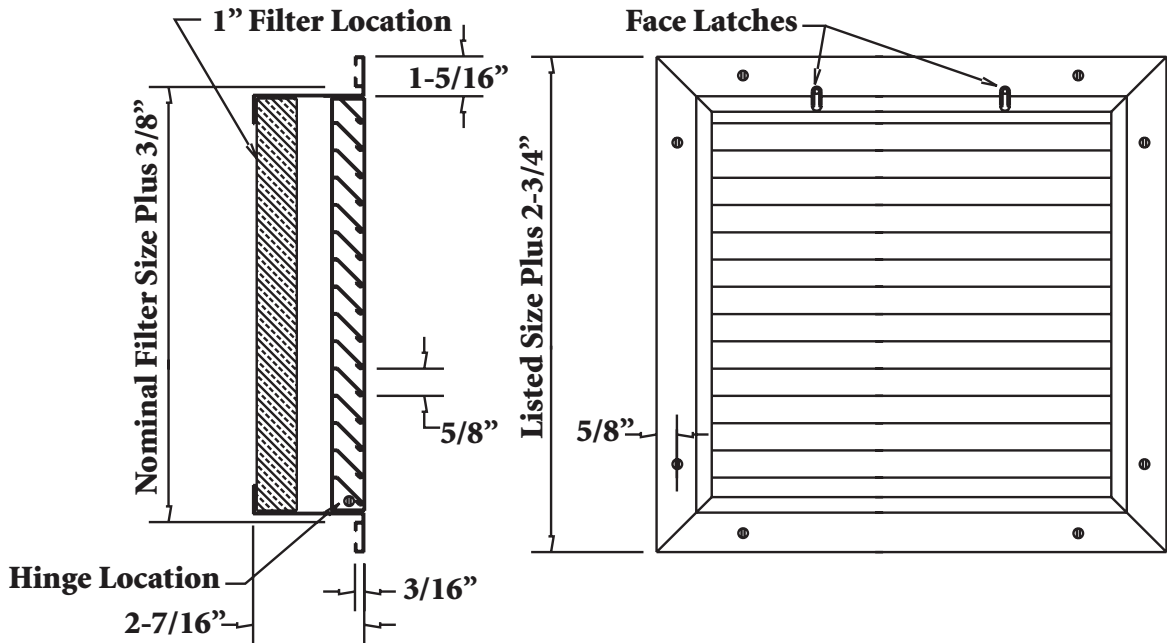
SUBMITTAL RECORD _____
 JOB _____
 LOCATION _____
 SUBMITTED TO _____
 SUBMITTAL PREPARED BY _____
 APPROVED BY _____
 DATE _____



Specification Form
ARAGF
ALUMINUM RETURN
AIR FILTER GRILLE

FEATURES

- Extruded aluminum construction
- Horizontal bars permanently fixed into heavy aluminum frame
- Fits standard 1" filter media
- Available in white durable finish



Duro Dyne East Division, Bay Shore, NY	631-249-9000	Fax: 631-249-8346
Duro Dyne Midwest Division, Fairfield, OH	513-870-6000	Fax: 513-870-6005
Duro Dyne West Division, Santa Fe Springs, CA	562-926-1774	Fax: 562-926-5778
Duro Dyne Canada, Lachine, Quebec, Canada	514-422-9760	Fax: 514-636-0328
www.durodyne.com E-mail: durodyne@durodyne.com		

ARAGF - ALUMINUM RETURN AIR FILTER GRILLE PERFORMANCE DATA

Neck Vel.	FPM	300	400	450	500	550	600	650	700	750	800	900
Neck Size	Ps	0.02	0.03	0.04	0.04	0.05	0.06	0.07	0.08	0.09	0.11	0.13
6 x 6"	CFM	50	70	75	85	95	100	110	120	125	135	155
Ak = .17	NC	<20	<20	<20	<20	<20	<20	<20	<20	20	20	25
8 x 6"	CFM	65	90	100	110	120	130	145	155	165	175	200
Ak = .22	NC	<20	<20	<20	<20	<20	<20	<20	<20	20	20	25
10 x 6"	CFM	85	115	130	145	160	175	190	205	220	230	260
Ak = .29	NC	<20	<20	<20	<20	<20	<20	<20	<20	20	20	30
10 x 8"	CFM	120	160	180	200	220	240	260	280	300	320	360
Ak = .40	NC	<20	<20	<20	<20	<20	<20	<20	<20	20	30	40
12 x 6"	CFM	108	145	160	180	200	215	235	250	270	290	325
Ak = .36	NC	<20	<20	<20	<20	<20	<20	<20	<20	20	20	30
12 x 8"	CFM	145	190	215	240	265	290	315	335	360	385	430
Ak = .48	NC	<20	<20	<20	<20	<20	<20	<20	<20	20	30	40
12 x 10"	CFM	185	245	275	305	335	365	395	425	460	490	550
Ak = .61	NC	<20	<20	<20	<20	<20	<20	<20	20	30	30	40
12 x 12"	CFM	220	295	335	370	405	445	480	520	555	590	665
Ak = .74	NC	<20	<20	<20	<20	<20	<20	20	30	30	30	40
16 x 16"	CFM	395	530	595	660	725	790	860	925	990	1055	1190
Ak = 1.32	NC	<20	<20	<20	20	30	30	30	30	35	35	50
18 x 6"	CFM	165	220	250	275	300	330	360	385	415	440	495
Ak = .550	NC	<20	<20	<20	<20	<20	<20	<20	20	30	30	40
18 x 10"	CFM	275	365	410	455	500	545	590	635	680	730	820
Ak = .91	NC	<20	<20	<20	<20	<20	20	30	30	30	30	40
18 x 12"	CFM	335	450	505	560	615	670	730	785	840	895	1005
Ak = 1.12	NC	<20	<20	<20	<20	20	30	30	30	30	35	40
18 x 18"	CFM	520	690	780	865	950	1040	1125	1210	1295	1385	1550
Ak = 1.73	NC	<20	<20	<20	20	30	30	30	35	35	35	40
24 x 12"	CFM	455	610	685	760	835	910	990	1065	1140	1215	1370
Ak 1.52	NC	<20	<20	<20	20	30	30	30	35	35	35	40
24 x 18"	CFM	705	940	1055	1175	1290	1410	1525	1645	1765	1880	2115
Ak 2.35	NC	<20	<20	<20	30	30	30	35	35	40	40	50
24 x 24"	CFM	945	1260	1420	1575	1735	1890	2045	2205	2365	2520	2835
Ak = 3.15	NC	<20	<20	30	30	30	35	35	35	40	40	50
30 x 12"	CFM	580	770	870	965	1060	1160	1255	1350	1445	1545	1735
Ak = 1.93	NC	<20	<20	<20	30	30	30	30	35	35	40	50
30 x 18"	CFM	880	1170	1320	1465	1610	1760	1905	2050	2200	2345	2635
Ak = 2.93	NC	<20	<20	30	30	30	30	35	40	40	40	50
30 x 24"	CFM	1190	1590	1785	1985	2185	2380	2580	2780	2975	3175	3575
Ak = 3.97	NC	<20	<20	30	30	30	35	40	40	40	50	50
30 x 30"	CFM	1500	2000	2250	3500	2750	3000	3250	3500	3750	4000	4500
Ak = 5.00	NC	<20	30	30	30	35	35	40	40	50	50	50
36 x 18"	CFM	1065	1420	1600	1775	1950	2130	2310	2485	2660	2840	3195
Ak = 3.55	NC	<20	<20	30	30	30	35	35	40	40	40	50
36 x 24"	CFM	1450	1935	2180	2420	2660	2905	3145	3390	3630	3870	4355
Ak = 4.84	NC	<20	30	30	30	35	35	40	40	50	50	50
36 x 30"	CFM	1830	2440	2745	3050	3355	3660	3965	4270	4575	4880	5490
Ak = 6.10	NC	<20	30	30	35	35	40	40	50	50	50	50
48 x 24"	CFM	1960	2610	2940	3265	3590	3920	4245	4570	4900	5225	5875
Ak = 6.53	NC	<20	30	30	35	35	40	40	50	50	50	50
48 x 26"	CFM	2250	3000	3375	3750	4125	4500	4875	5250	5625	6000	6750
Ak = 7.50	NC	<20	30	30	35	40	40	50	50	50	50	50
48 x 30"	CFM	2430	3240	3645	4050	4455	4860	5265	5670	6075	6480	7290
Ak = 8.10	NC	<20	30	30	35	40	40	50	50	50	50	50

Duro Dyne East Division, Bay Shore, NY	631-249-9000	Fax: 631-249-8346
Duro Dyne Midwest Division, Fairfield, OH	513-870-6000	Fax: 513-870-6005
Duro Dyne West Division, Santa Fe Springs, CA	562-926-1774	Fax: 562-926-5778
Duro Dyne Canada, Lachine, Quebec, Canada	514-422-9760	Fax: 514-636-0328
www.durodyne.com E-mail: durodyne@durodyne.com		



©2013 DURO DYNE CORP.
Printed in the USA 7/13
BO000332