

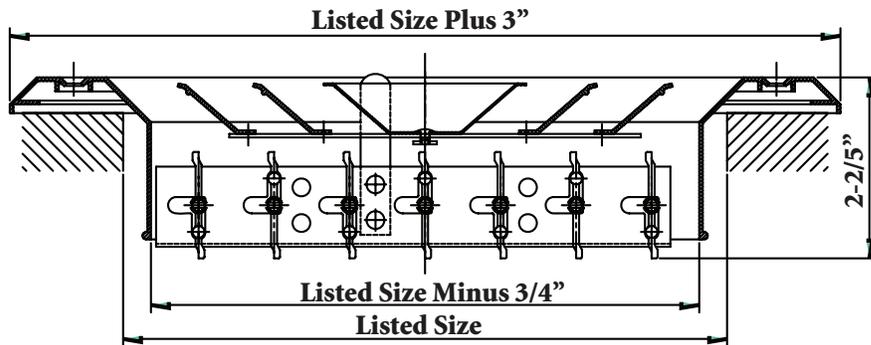
SUBMITTAL RECORD _____
 JOB _____
 LOCATION _____
 SUBMITTED TO _____
 SUBMITTAL PREPARED BY _____
 APPROVED BY _____
 DATE _____



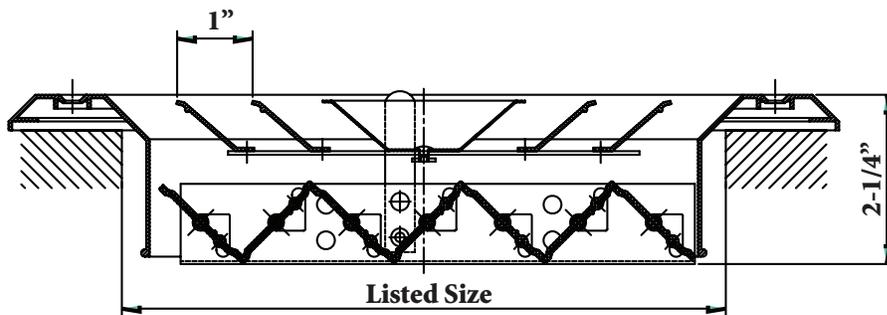
Specification Form
A4SCD
ALUMINUM SQUARE
CEILING DIFFUSER
4-WAY

FEATURES

- Extruded aluminum construction
- Opposed-blade damper
- For ceiling application
- Four-way air deflection
- Available in white durable finish



Open



Closed

4-WAY

Duro Dyne East Division, Bay Shore, NY	631-249-9000	Fax: 631-249-8346
Duro Dyne Midwest Division, Fairfield, OH	513-870-6000	Fax: 513-870-6005
Duro Dyne West Division, Santa Fe Springs, CA	562-926-1774	Fax: 562-926-5778
Duro Dyne Canada, Lachine, Quebec, Canada	514-422-9760	Fax: 514-636-0328
www.durodyne.com E-mail: durodyne@durodyne.com		



©2013 DURO DYNE CORP.
 Printed in the USA 8/13
 BO000336

A4SCD ALUMINUM SQUARE CEILING DIFFUSER 4-WAY - PERFORMANCE DATA

Face Velocity		400	500	600	700	900	1100	1500
Pressure Loss		.010	.016	.022	.031	.050	.075	.140
6 x 6 Ak .13	CFM	55	65	75	90	120	140	195
	Throw	2.0	3.0	4.0	5.0	6.0	7.0	9.0
8 X 8 Ak .20	CFM	75	90	105	120	150	180	240
	Throw	3.0	4.0	5.0	6.0	8.0	10.0	13.0
10 X 10 AK. 29	CFM	115	135	155	175	235	290	395
	Throw	4.0	5.0	6.0	7.0	9.0	12.0	14.0
12 X 12 AK .42	CFM	170	210	255	300	380	470	610
	Throw	5.0	6.0	7.0	8.0	10.0	12.0	15.0
14 X 14 AK .59	CFM	250	305	360	410	505	610	800
	Throw	6.0	7.0	8.0	9.0	11.0	14.0	18.0

Terminal Velocity of 75 FPM

Duro Dyne East Division, Bay Shore, NY	631-249-9000	Fax: 631-249-8346
Duro Dyne Midwest Division, Fairfield, OH	513-870-6000	Fax: 513-870-6005
Duro Dyne West Division, Santa Fe Springs, CA	562-926-1774	Fax: 562-926-5778
Duro Dyne Canada, Lachine, Quebec, Canada	514-422-9760	Fax: 514-636-0328
www.durodyne.com E-mail: durodyne@durodyne.com		



©2013 DURO DYNE CORP.
Printed in the USA 8/13
BO000336