

SUBMITTAL RECORD \_\_\_\_\_  
 JOB \_\_\_\_\_  
 LOCATION \_\_\_\_\_  
 SUBMITTED TO \_\_\_\_\_  
 SUBMITTAL PREPARED BY \_\_\_\_\_  
 APPROVED BY \_\_\_\_\_  
 DATE \_\_\_\_\_

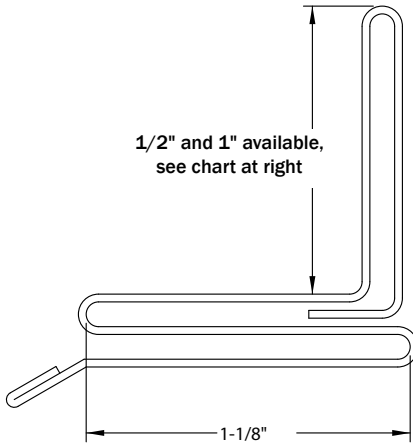


# Submittal Form Standing S

## - STANDING S -

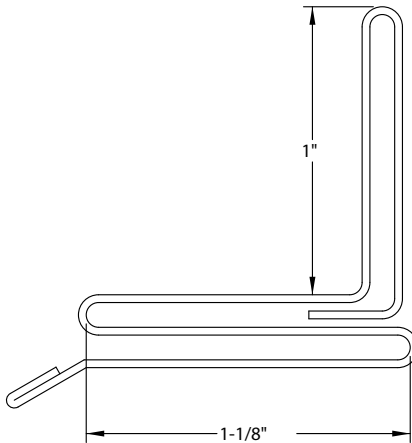


- Designed to reinforce the connection on the wider ductwork applications.
- Available in 5ft. or 10ft. lengths.



Item #	Code	Description
13235	SS-2210	22ga. 1in. Standing S 10ft.
13214	SS-2410	24ga. 1in. Standing S 10ft.
13216	SS12-2405	24ga. 1/2in. Standing S 5ft.
13201	SS12-2410	24ga. 1/2in. Standing S 10ft.
13215	SS-2610	26ga. 1in. Standing S 10ft.
13237	SS-2605	26ga. 1in. Standing S 5ft.
13228	SS12-2610	26ga. 1/2in. Standing S 10ft.
13212	SS12-2605	26ga. 1/2in. Standing S 5ft.
13217	SSSS-2410	300 Stainless Steel Standing S 10ft.
13210	SSAL-2410	Aluminum Standing S 10ft.

## - STANDING S - CUT TO LENGTH -



24 GAUGE		
Item #	Code	Description
13129	SS19524	19-1/2in Standing S Lock 1in
13130	SS21524	21-1/2in Standing S Lock 1in
13131	SS23524	23-1/2in Standing S Lock 1in
13132	SS25524	25-1/2in Standing S Lock 1in
13133	SS27524	27-1/2in Standing S Lock 1in
13134	SS29524	29-1/2in Standing S Lock 1in

