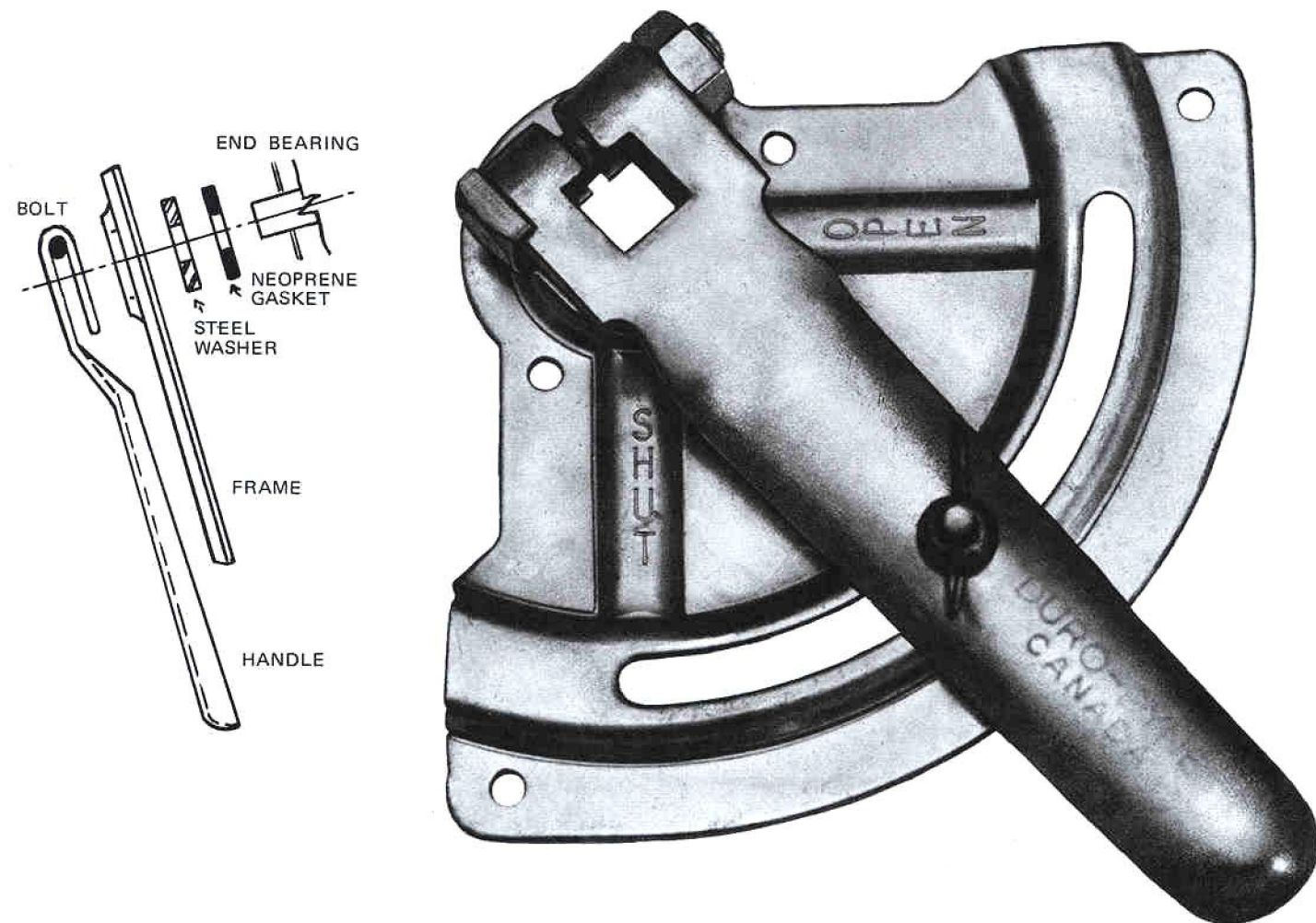


**DURO
DYNE**

CLAMP-QUADRANT K-9



FITS 1/2" SQUARE BEARING SHAFT

Accommodates and securely locks 1/2 inch square rod, KP-10S bearing fitting and BKP-4 and BKP-7 adaptor pins.

RUGGED HEAVY DUTY CONSTRUCTION

Heavily ribbed 16 gauge steel frame, 1/8 inch thick formed steel handle, cadmium-plated.

EXCLUSIVE CLAMPING ACTION ELIMINATES RATTLE

By tightening nut, bearing is securely locked in handle, preventing slippage and rattle.

VIRTUALLY LEAKPROOF

Neoprene and steel washer assembly seals bearing opening to eliminate air-leakage.

OFFSET MOUNTING HOLES

Prevents interference with blade operation, eliminates need to notch damper blade.