

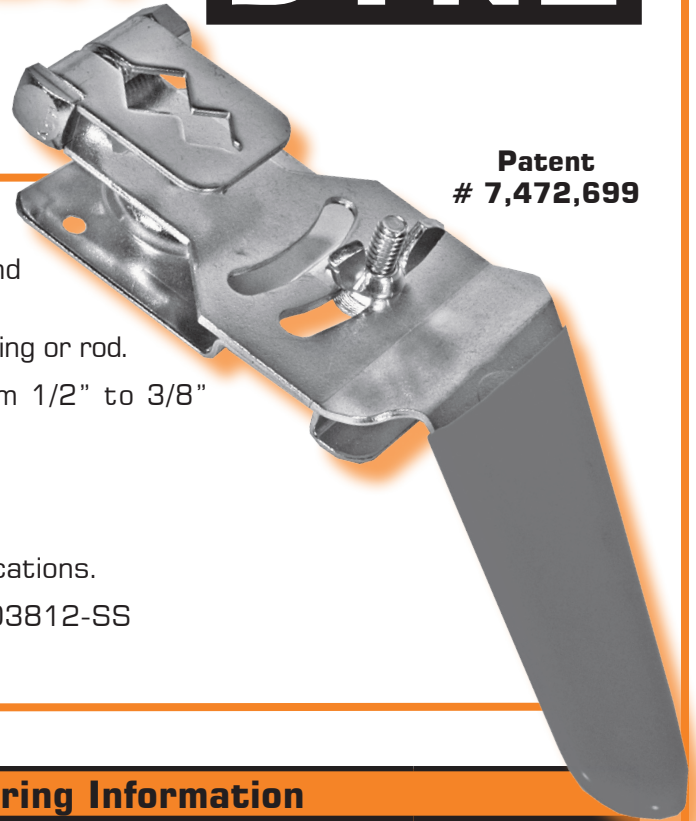
UNIVERSAL REGULATOR



All For One and One For Four!

Air Regulator

**Patent
7,472,699**

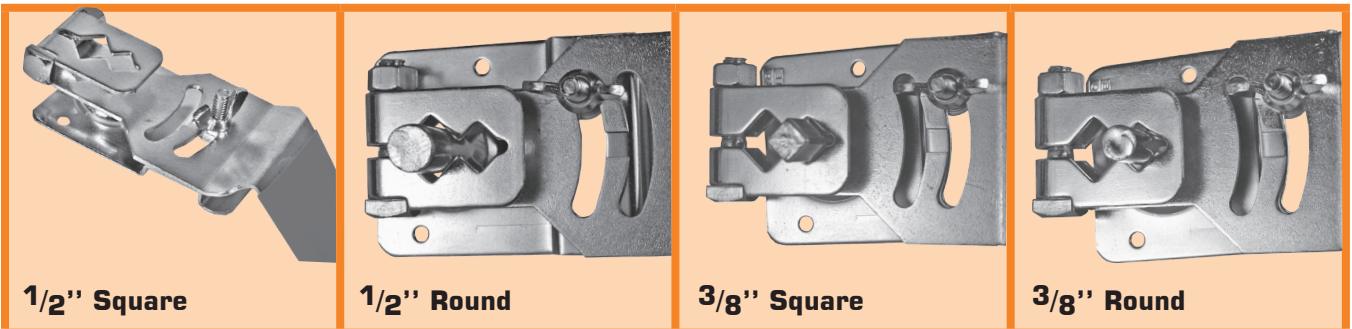


- Universal - one regulator for 3/8" and 1/2"; round or square rods.
- Clamp on handle for snug and rattle free fit to bearing or rod.
- Unique "quick set up" handle allows shift from 1/2" to 3/8" without disassembling the regulator.
- High visibility handle; shows damper direction.
- Heavy gauge, zinc plated steel.
- Optional Seal Kit - available for low leakage applications.
- Available in Stainless Steel - Item #8328 MRSO3812-SS

Air Regulator-Ordering Information

Item#	Code	Description	Quantity
8270	MSRO3812	3/8 & 1/2 in. MULTI-SIZE REGULATOR ONLY	10 Per Ctn.
8155	SK38	MSRO 3/8 in. SEAL KIT	10 Per Ctn.
8156	SK12	MSRO 1/2 in. SEAL KIT	10 Per Ctn.

Application



1/2" Square

1/2" Round

3/8" Square

3/8" Round

Duro Dyne East Division, Bay Shore, NY **631-249-9000** **Fax: 631-249-8346**
Duro Dyne Midwest Division, Fairfield, OH **513-870-6000** **Fax: 513-870-6005**
Duro Dyne West Division, Fontana, CA **562-926-1774** **Fax: 562-926-5778**
Duro Dyne Canada, Lachine, Quebec, Canada **514-422-9760** **Fax: 514-636-0328**
www.durodyne.com **E-mail: durodyne@durodyne.com**



© Duro Dyne Corp.
 Printed in USA 4/06
 BC008400
 JB 01/2017