

SUBMITTAL RECORD

JOB _____
 LOCATION _____
 SUBMITTED TO _____
 SUBMITTAL PREPARED BY _____
 APPROVED BY _____
 DATE _____



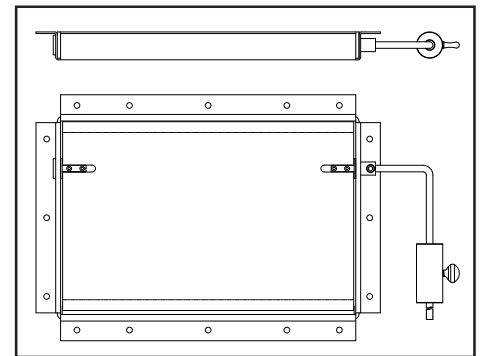
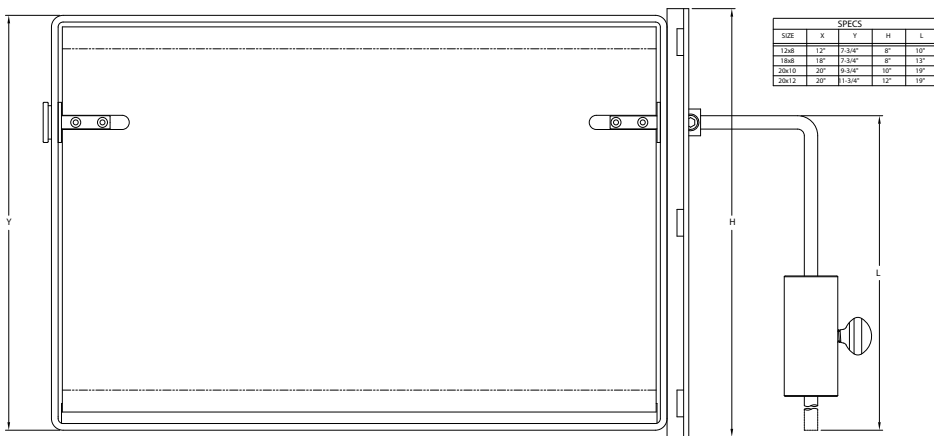
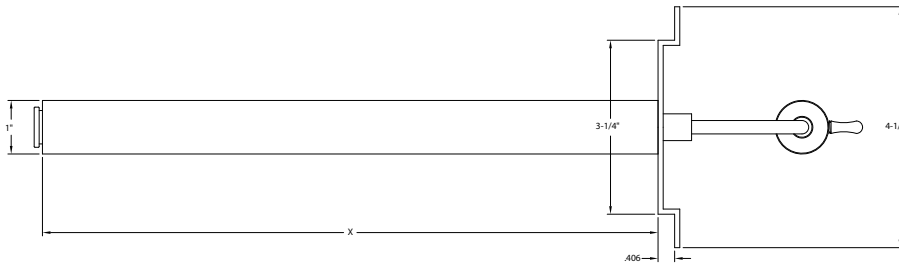
Submittal Form
Pressure Relief Damper
Rectangular

DESCRIPTION

DuroZone Pressure Relief Dampers are used to automatically relieve Duct Systems of the pressure build up created, as zones satisfy and dampers close. The Duro Zone Pressure Relief Damper provides a simple and reliable means for accomplishing this.

One common practice is the passing of "Dumped" air from the supply duct to the return duct. Should you elect this method of bypass, the connection from the supply should attach to the return duct a minimum of 10 feet away from the blower. This will ensure that bypassed air temp is neither too hot in the heat cycle, nor too cold in the cooling cycle. Ensuring sufficient flow of tempered air across the evaporator coil and heat exchanger is critical to the safe and efficient system function.

Dampers are available in standard sizes. Proper size is to be determined by the installer based on standard practice for duct sizing. The dampers can be doubled up where a discharge in excess of standard sizes is required. You will find that sizing is not critical.



Optional Mounting

Item #	Code	Description
35063	DD12X8	12x8 Pressure Relief Damper
35064	DD18X8	18x8 Pressure Relief Damper
35068	DD20X10*	20x10 Pressure Relief Damper
35069	DD20X12*	20x12 Pressure Relief Damper
*Pressure Relief Damper is supplied with one arm and two weights		

Duro Dyne East Division, Bay Shore, NY	631-249-9000	Fax: 631-249-8346
Duro Dyne Midwest Division, Hamilton, OH	513-870-6000	Fax: 513-870-6005
Duro Dyne West Division, Fontana CA	562-926-1774	Fax: 562-926-5778
Duro Dyne Canada, Lachine, Quebec, Canada	514-422-9760	Fax: 514-636-0328
www.durodyne.com E-mail: durodyne@durodyne.com		